

### 3270 Stelvio 1 - Plus - LED

Housing and cover: in die-cast aluminium and designed with a very small surface exposed to wind. Cooling fins are integrated into the cover. Pole connection: in die-cast aluminium and with gaskets to secure the frame according to different inclinations. Adjustable ranges: between 0° and 15° for side mount; and between 0° and 10° for mast-top mounting. Inclination pace: 5°. Suited for poles with a diameter 63-60mm. Diffuser: clear, tempered glass, 4 mm thick, resistant to thermal shock and impacts (UNI-EN 12150-1 : 2001). Coating: the standard powder coating consists of a first metal surface pre-treatment stage and of single layer of UV-stabilised, corrosion and salt resistant polyester powder coating. Standard supply: Automatic temperature control inside the device with automatic resetting. Electronic safety device to protect the LED module and the related ballast compliant with EN 61547. It works in two modes: - differential mode: surge between power cables and between the phase and neutral. - common mode: surge between power, L/N and ground cables or between the fixture's body if it is of class II and installed on a metal pole. Upon request: protection up to 10KV. Equipment: complete with IP67 airtight connector for mains connection. Supplied with double insulation switch that cuts off electricity when the cover is opened. Energy-saving: the possibility to choose the correct drive current for LEDs will allow you to have the right power under specific design conditions, and also help you deal with maintenance and retrofitting problems. Using a lower current will improve the efficiency of fixtures and therefore increase energy savings, whilst a higher current will result in a higher light flux so that you can reduce the number of fixtures. Optics: in PMMA, highly resistant to temperature and UV radiation. Flow recovery in V2 polycarbonate. LED: Latest generation LED technology, Ta-30+40°C life 80%: >100.000h (L80B10). Photobiological safety class: exempt group EN62471.

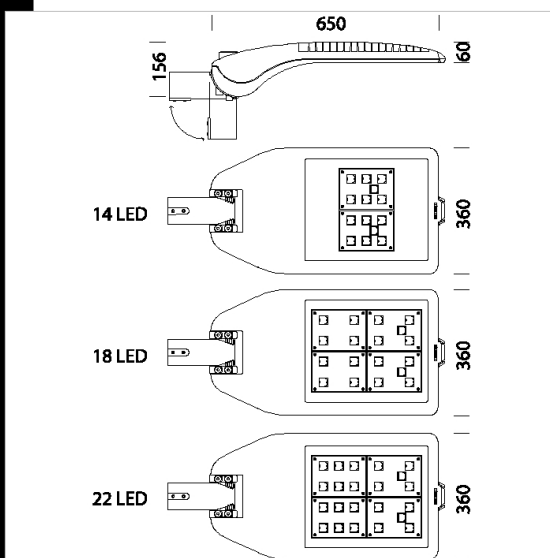
Power factor >0.9

Regulations: Produced according to applicable EN60598-1 CEI 34-21 standards, degree of protection according to EN 60529 standards.

Upon request:

- with power supply 1-10 V dimmable with subcode 12.
- with power supply DIG dimmable with subcode 0041.
- with virtual midnight subcode 30.
- power line carrier remote control systems subcode 0078.
- Nema Socket, subcode 40
- Zhaga Socket, subcode 0054

Wind surface: L:229cm² F:470cm².



#### Download

DXF 2D  
- 3270.dxf

#### 3DS

- disano\_3270\_stelvio\_18led\_3ds
- disano\_3270\_stelvio\_14led\_3ds
- disano\_3270\_stelvio\_22led\_3ds
- disano\_3270\_stelvio\_28led\_3ds

#### 3DM

- disano\_3270\_stelvio\_28led\_3dm
- disano\_3270\_stelvio\_18led\_3dm
- disano\_3270\_stelvio\_22led\_3dm
- disano\_3270\_stelvio\_14led\_3dm

#### Montaggi

- STELVIO-MINISTELVIO.pdf

#### BIM

- 3270 Stelvio 1 - Plus - LED - 20200224.zip

The reported luminous flux is the flux emitted by the light source with a tolerance of ± 10% compared to the indicated value. The W tot column indicates the total wattage absorbed by the system without exceeding 10% of the indicated

Code	Gear	Kg	Lumen Output-K-CRI	WTot	Colour	Surge
330342-00	CLD CELL	11,20	LED-13099lm-700mA-4000K-CRI70	119 W	ANTRACITE	6/8kV
330348-00	CLD CELL	11,72	LED-16842lm-700mA-4000K-CRI70	152 W	ANTRACITE	6/8kV
330343-00	CLD CELL	13,20	LED-20586lm-700mA-4000K-CRI70	183 W	ANTRACITE	6/8kV
330349-00	CLD CELL	10,60	LED-26198lm-700mA-4000K-CRI70	237 W	ANTRACITE	6/8kV
330342-30	CLD CELL	10,36	LED-13099lm-700mA-4000K-CRI70	119 W	ANTRACITE	6/8kV
330348-30	CLD CELL	11,84	LED-16842lm-700mA-4000K-CRI70	152 W	ANTRACITE	6/8kV
330343-30	CLD CELL	11,96	LED-20586lm-700mA-4000K-CRI70	183 W	ANTRACITE	6/8kV
330349-30	CLD CELL	10,66	LED-26198lm-700mA-4000K-CRI70	237 W	ANTRACITE	6/8kV
330493-00	CLD CELL	10,20	LED-7214lm-350mA-4000K-CRI70	58 W	ANTRACITE	6/8kV
330494-00	CLD CELL	10,38	LED-9276lm-350mA-4000K-CRI70	75 W	ANTRACITE	6/8kV
330495-00	CLD CELL	10,54	LED-11340lm-350mA-4000K-CRI70	91 W	ANTRACITE	6/8kV
330354-00	CLD CELL	10,30	LED-13099lm-350mA-4000K-CRI70	107 W	ANTRACITE	6/8kV
330490-00	CLD CELL	10,30	LED-9824lm-530mA-4000K-CRI70	90 W	ANTRACITE	6/8kV
330491-00	CLD CELL	10,32	LED-12630lm-530mA-4000K-CRI70	116 W	ANTRACITE	6/8kV
330492-00	CLD CELL	10,48	LED-15437lm-530mA-4000K-CRI70	142 W	ANTRACITE	6/8kV
330355-00	CLD CELL	10,30	LED-19836lm-530mA-4000K-CRI70	166 W	ANTRACITE	6/8kV
330342-39	CLD CELL	9,70	LED-12182lm-700mA-3000K-CRI70	119 W	ANTRACITE	6/8kV
330348-39	CLD CELL	9,80	LED-15663lm-700mA-3000K-CRI70	152 W	ANTRACITE	6/8kV
330343-39	CLD CELL	11,00	LED-19145lm-700mA-3000K-CRI70	183 W	ANTRACITE	6/8kV
330349-39	CLD CELL	10,60	LED-24364lm-700mA-3000K-CRI70	237 W	ANTRACITE	6/8kV
330493-39	CLD CELL	10,20	LED-6709lm-350mA-3000K-CRI70	58 W	ANTRACITE	6/8kV
330494-39	CLD CELL	10,00	LED-8627lm-350mA-3000K-CRI70	75 W	ANTRACITE	6/8kV
330495-39	CLD CELL	10,50	LED-10546lm-350mA-3000K-CRI70	92 W	ANTRACITE	6/8kV
330354-39	CLD CELL	10,30	LED-12182lm-350mA-3000K-CRI70	90 W	ANTRACITE	6/8kV
330490-39	CLD CELL	10,30	LED-9136lm-530mA-3000K-CRI70	90 W	ANTRACITE	6/8kV
330491-39	CLD CELL	10,30	LED-11746lm-530mA-3000K-CRI70	116 W	ANTRACITE	6/8kV
330492-39	CLD CELL	10,50	LED-14356lm-530mA-3000K-CRI70	142 W	ANTRACITE	6/8kV
330355-39	CLD CELL	10,30	LED-18447lm-530mA-3000K-CRI70	166 W	ANTRACITE	6/8kV

#### Accessori

3270 Stelvio 1 - Plus - LED

Accessori



- 578 adjustable bracket



- 504 - Single arm



- 508 - Double arm

Pali



- 1508 fluted pole  $\phi$ 120 with base



- 1509 fluted pole  $\phi$ 120



- 1491 poles to be sunk into the ground



- 1481 tapered steel lighting pole to be buried



- 1480 tapered steel lighting pole with base



- 1493 pole with base

The reported luminous flux is the flux emitted by the light source with a tolerance of  $\pm 10\%$  compared to the indicated value. The W tot column indicates the total wattage absorbed by the system without exceeding 10% of the indicated