

1208 Box

Housing: In nylon. Complete with horizontally linear grid.

Frame: In die-cast aluminium.

Diffuser: In plexiglass.

Painting: the standard liquid immersion coating consists of a first metal surface pre-treatment stage, a successive epoxy cataphoresis corrosion and salt resistant coating, and a final layer of bi-component acrylic liquid UV-stabilised coating.

Lampholder: In white polycarbonate, contacts in phosphor bronze. Socket G23. In ceramics, socket E14.

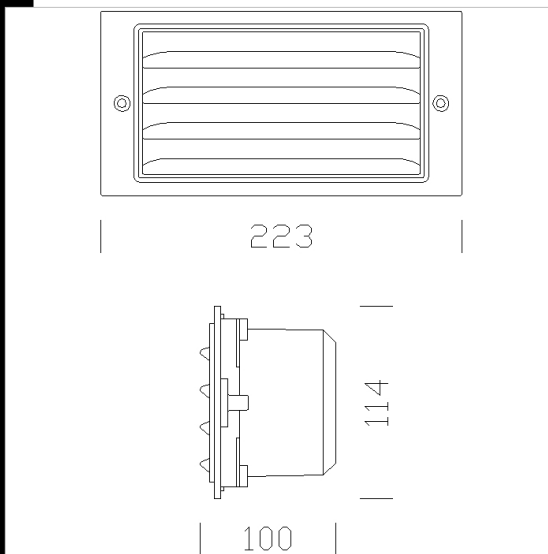
Electric gear: 230-240V/50Hz power supply. Hard wire, 0.50 sqmm cross section and PVC-HT sheath, resistant up to 90°C, according to CEI 20-20 standards. 2P terminal block with maximum allowed lead cross section of 2.5 sqmm.

Regulations: Produced according to applicable EN60598-1 CEI 34-21 standards, IP54IK08 degree of protection according to EN 60529 standards and approved by the Italian Body for Quality Marking (IMQ). They have obtained the ENEC European Certificate of Conformity. Double insulation class.

Download

DXF 2D
- 1208box.dxf

Montaggi
- box.pdf



Code	Gear	Kg	WTot	Colour
431601-00	S	0.80	0 W	GRAFITE

The reported luminous flux is the flux emitted by the light source with a tolerance of $\pm 10\%$ compared to the indicated value. The W tot column indicates the total wattage absorbed by the system without exceeding 10% of the indicated