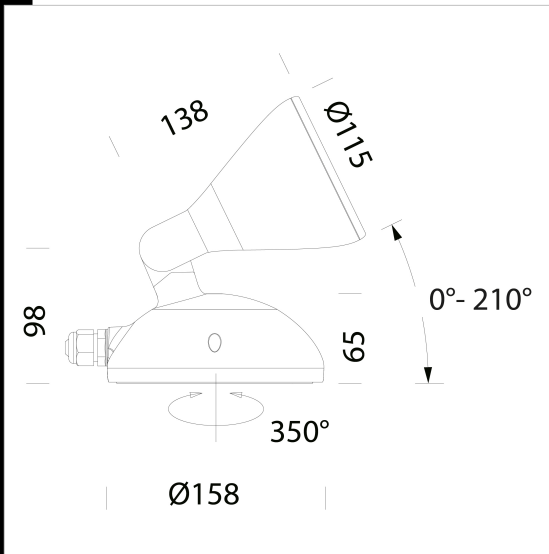


2566 Podio Amber - with lens

Housing/frame: in die-cast aluminium with central articulated joint in die-cast aluminium. Base: in die-cast aluminium. Lens: in PMMA with high efficiency output and very low glare rate. Diffuser: in extra clear tempered glass, 4 mm thick, resistant to thermal shocks and impacts. Graphite coating: the standard liquid immersion coating consists of a first metal surface pre-treatment stage, a successive epoxy cataphoresis corrosion and salt resistant coating, and a final layer of bi-component acrylic liquid UV-stabilised coating. Grey 9006/white coating: the standard powder coating consists of a first metal surface pre-treatment stage and of single layer of UV-stabilised, corrosion and salt resistant polyester powder coating. On request: coating compliant with UNI EN ISO 9227 Corrosion tests in artificial atmospheres for aggressive environments. Standard Supply: electronic safety device to protect the LED module and the related ballast compliant with EN 61547.. On request: DIMM 1/10V LED: Power factor 0.92. LED: Luminous flux maintenance 80%: 50.000h (L80B20).

Download

- DXF 2D
- 2566.dxf
- 3DS
- disano_2566_podio.3ds
- 3DM
- disano_2566_podio.3dm
- Montaggi
- podio.pdf



Code	Gear	Kg	Lumen Output-K-CRI	WTot	Colour
422530-73	CLD CELL	1.50	LED COB AMBER-2064lm-2200K - 15° - amber-	28 W	GREY9006
422531-73	CLD CELL	1.50	LED COB AMBER-2064lm-2200K - 15° - amber-	28 W	GRAFITE
422554-73	CLD CELL	1.50	LED COB AMBER-2153lm-2200K - 30° - amber-	28 W	GREY9006
422555-73	CLD CELL	1.50	LED COB AMBER-2153lm-2200K - 30° - amber-	28 W	GRAFITE
422535-73	CLD CELL	1.50	LED COB AMBER-3234lm-2200K - 15° - amber-	42 W	GREY9006
422539-73	CLD CELL	1.50	LED COB AMBER-3234lm-2200K - 15° - amber-	42 W	GRAFITE
422556-73	CLD CELL	1.50	LED COB AMBER-3374lm-2200K - 30° - amber-	42 W	GREY9006
422557-73	CLD CELL	1.50	LED COB AMBER-3374lm-2200K - 30° - amber-	42 W	GRAFITE

Accessories



- 119 peg

The reported luminous flux is the flux emitted by the light source with a tolerance of ± 10% compared to the indicated value. The W tot column indicates the total wattage absorbed by the system without exceeding 10% of the indicated