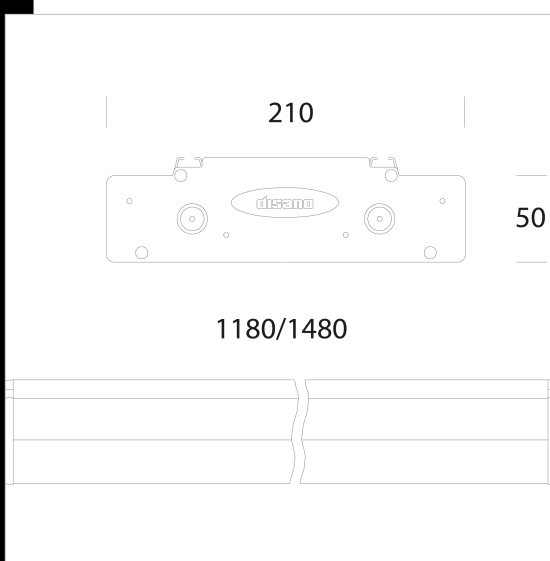


### 3877 Channel - direct light

Housing: Extruded aluminium with die-cast end caps.  
 Optic unit: Longitudinal and transversal double parabolic dark-light louvres built from 99.99 high-gloss, anti-glare, anti-iridescence, very low luminance aluminium.  
 Coating: Metallic silver or polished white polyester resin powder coating, resistant to corrosion and to saline environments  
 Standard supply: The snap-on optic unit remains attached by safety cords.  
 Regulations: Manufactured in compliance with EN60598 - CEI 34 - 21 standards. The level of protection complies with the EN60529 standard.  
 Luminous flux maintenance 80% 50000h (L80B20)  
 Power factor 0.95  
 Photobiological safety class: exempt group

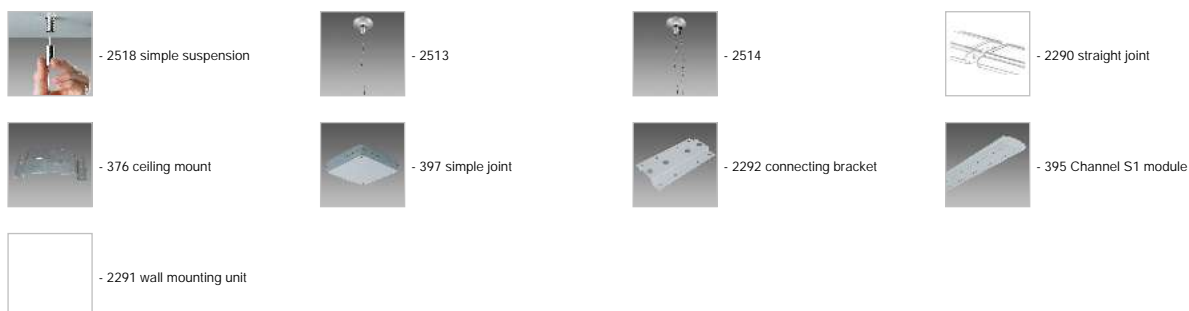
#### Download

- DXF 2D  
- 3877-3878.dxf
- 3DS  
- disano\_3877\_channel\_1480.3ds  
- disano\_3877\_channel\_1180.3ds
- 3DM  
- disano\_3877\_channel\_1180.3dm  
- disano\_3877\_channel\_1480.3dm
- Montaggi  
- giano\_channel.pdf



Code	Gear	Kg	Lumen Output-K-CRI	WTot	Colour
145170-00	CLD CELL	3.70	LED-2681lm-4000K-CRI 80	28 W	BIANCO
145171-00	CLD CELL	4.70	LED-2681lm-4000K-CRI 80	28 W	GREY
145172-00	CLD CELL	6.10	LED-3352lm-4000K-CRI 80	34 W	BIANCO
145173-00	CLD CELL	5.74	LED-3352lm-4000K-CRI 80	34 W	GREY

#### Accessories



The reported luminous flux is the flux emitted by the light source with a tolerance of  $\pm 10\%$  compared to the indicated value. The W tot column indicates the total wattage absorbed by the system without exceeding 10% of the indicated