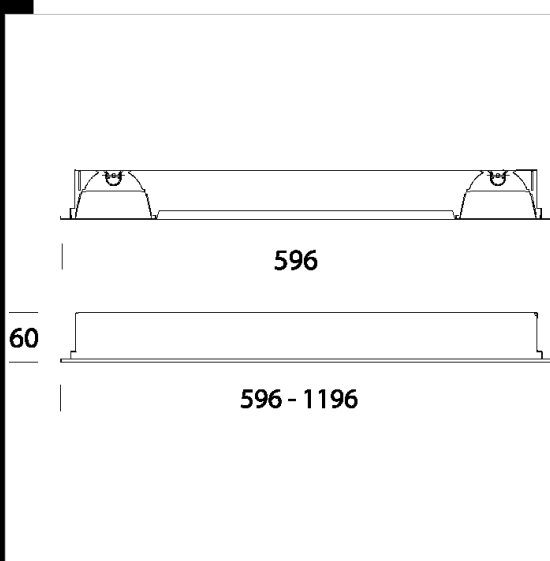
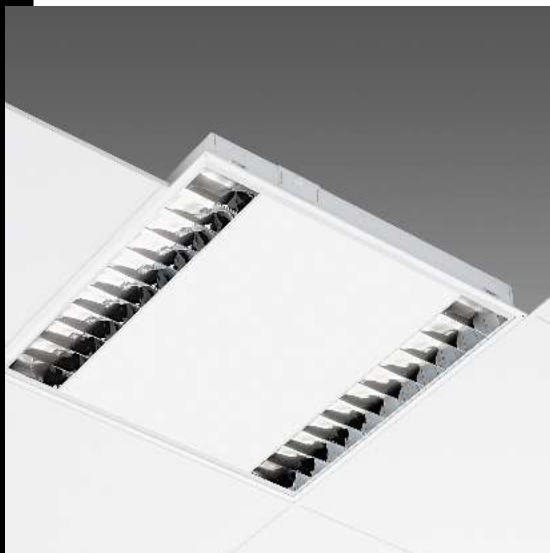


## 841 Minicomfort LED x2 - UGR<16



Thanks to the experience and quality of Disano, a worldwide leader in the lighting sector, the Minicomfort ceiling lamps are now available with LEDs. With the same basic characteristics that have guaranteed the product's success over the years, Minicomfort now comes with the main advantages of the LED lighting technology, such as light quality, energy-efficiency and longer service life. These characteristics can be found only in lighting fixtures with high design and manufacturing levels.

Minicomfort LED is the ideal lighting fixture for offices, health facilities and, in general, for any space that needs to offer controlled lighting with dark light optics and comply with anti-glare parameters.

Minicomfort can be easily attached to ceilings because it comes with accessories designed to allow easy installation. The lamp's shape guarantees uniform light distribution: white-light LEDs (4000 K) emit high quality lighting to ensure the best visual comfort and perfect colour rendering (cri >80).

A comparison between this product and other popular fixtures incorporating T8 fluorescent lamps shows remarkable energy savings: with Minicomfort you can save over 40% compared to 4x18 W ceiling lights with louvre. Savings are even greater if we consider the long life of LEDs (80,000 hours) and no maintenance costs after installation.

In addition to these practical advantages, there is the lamp's excellent aesthetics. Moreover, thanks to the rapid connection system, the fixture does not need to be opened.

A simple and innovative solution to illuminate your work spaces with the most advanced technology available in the interior lighting sector. Housing: in galvanised steel sheet panels, pre-coated with a polyester resin.

Cover: with steel panels.

Louvre: Dark light double parabolic louvres, in high-gloss plated aluminium 99.99. Anti-dazzle and anti-iridescence, very low luminance. PVD treatment.

UGR<16 glare index: compliant with applicable standards \* (reflection coefficient: ceiling 0.7 - walls 0.5)

Equipment: hinged door and quick clamping mechanism. With protective film on fixture and baffle louvre.

Supplied without brackets: for non-surface mounted versions, use bracket acc. 326.

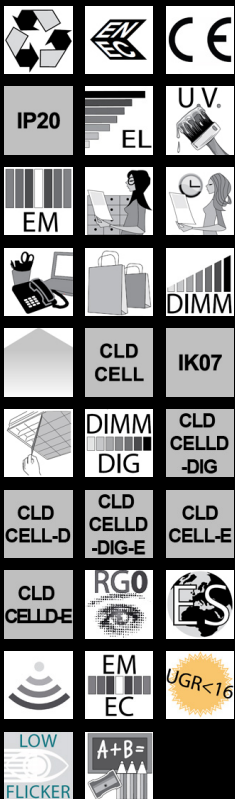
On request: 1-10V dimmer, dimmable from 10% to 100%. This offers further savings. Order with subcode -0092. Presence detector Lights turn on when they detect movement and turn off when they are no longer needed. Emergency wiring with centralized power supply CLD CELL-EC (sub-code -0050). CLD CELL-D(PUSH) -0045.

Regulations: Produced according to applicable EN60598-1 CEI 34-21 standards, degree of protection according to EN 60529 standards.

life 80.000h L70B20

Photobiological safety class: exempt group

Power factor >= 0.95



Download

DXF 2D  
- 841x2.dxf

Code	Gear	Kg	Lumen Output-K-CRI	WTot	Colour
153536-00	CLD CELL	4,38	LED-2046lm-4000K-CRI>80	19 W	BIANCO
153537-00	CLD CELL	6,10	LED-4093lm-4000K-CRI>80	37 W	BIANCO
153536-07	CLD CELL-E	3,03	LED-2046lm-4000K-CRI>80	22 W	BIANCO
153537-07	CLD CELL-E	5,91	LED-4093lm-4000K-CRI>80	40 W	BIANCO
153536-94	CLD CELL-D-E	3,33	LED-2046lm-4000K-CRI>80	19 W	BIANCO
153537-94	CLD CELLDE	5,00	LED-4093lm-4000K-CRI>80	36 W	BIANCO
153536-12	CLD CELL-D	2,85	LED-2046lm-4000K-CRI>80	19 W	BIANCO
153537-12	CLD CELL-D	3,91	LED-4093lm-4000K-CRI>80	37 W	BIANCO
153536-0041	CLD CELL-D-D	2,38	LED-2046lm-4000K-CRI>80	19 W	BIANCO
153537-0041	CLD CELL-D-D	5,76	LED-4093lm-4000K-CRI>80	38 W	BIANCO
153537-9441	CLD CELL-D-D-E	5,00	LED-4093lm-4000K-CRI>80	36 W	BIANCO
153536-9441	CLD CELL-D-D-E	2,50	LED-2046lm-4000K-CRI>80	18 W	BIANCO

### Accessori



- 320 steel safety cord



- 326 Stirrup

The reported luminous flux is the flux emitted by the light source with a tolerance of ± 10% compared to the indicated value. The W tot column indicates the total wattage absorbed by the system without exceeding 10% of the indicated