

1238 Faro LED - short version



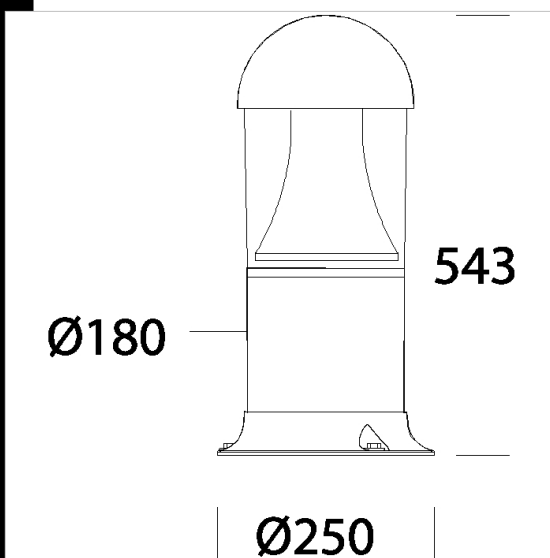
Housing: In extruded aluminium, cylindrical section, Ø 180.
Diffuser: In vandal resistant and V2 self-extinguishing clear polycarbonate, UV-stabilized.

Painting: the standard liquid immersion coating consists of a first metal surface pre-treatment stage, a successive epoxy cataphoresis corrosion and salt resistant coating, and a final layer of bi-component acrylic liquid UV-stabilised coating.

Regulations: Produced according to applicable EN60598-1 CEI 34-21 standards, IP65IK10 degree of protection in compliance with EN 60529 standards.

Standard supply: with air recycle valve. Supplied with socket-pin connector for quick installation

Working life: 80%: 50000h (L80B20) (from -30° to +50° C - Tj=25°C).



Code	Gear	Kg	Lumen Output-K-CRI	WTot	Colour
510600-00	CLD CELL	3.80	LED-484lm-4000K-CRI>80	9 W	GRAFITE
510600-39	CLD CELL	3.70	LED-450lm-3000K-CRI 80	9 W	GRAFITE



Download

DXF 2D
- 1238i.dxf

3DS
- disano_1238_faro.3ds

3DM
- disano_1238_faro.3dm

Montaggi
- faro led montaggio.dxf

The reported luminous flux is the flux emitted by the light source with a tolerance of ± 10% compared to the indicated value. The W tot column indicates the total wattage absorbed by the system without exceeding 10% of the indicated