

Download

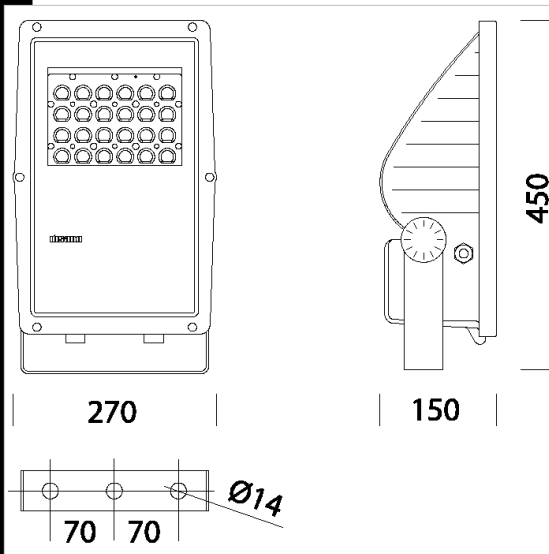
DXF 2D
- 1144n.dxf

Montaggi
- 1144_8_9_litio.pdf

1144 Litio - LED asymmetric



Housing/frame: In die-cast aluminium with wide cooling fins.
 Optics: in PMMA, highly resistant to temperature and UV radiation
 Diffuser: Tempered glass, 5 mm thick, thermal shock and impact resistant. (UNI7142 tests British standard 3193).
 Painting: the standard powder coating consists of a first metal surface pre-treatment stage and of single layer of UV-stabilised, corrosion and salt resistant polyester powder coating.
 Equipment: Gasket in silicone rubber material. Retained steel screws with special anticorrosion and anti-gripping treatment. Bracket with protractor scale. The hinge-opening front frame stays hooked to the fixture housing.
 Regulations: Produced according to applicable EN60598-1 CEI 34-21 standards, IP65IK08 degree of protection according to EN 60529 standards.
 Wind surface: 1200 sqcm.
 Ta-20 + 40°C Luminous flux maintenance 80% 80.000h L80B20
 Photobiological risk: exempt, pursuant to EN62471.
 Power factor: 0.9.



Code	Gear	Kg	Lumen Output-K-CRI	WTot	Colour
313369-00	CLD CELL	4.90	LED-5486lm-700mA-4000K-CRI 70	52 W	GRAFITE

Accessories



- 53 protective guard



- 51 baffle louvre



- 333 pole mounting diam.60



- 334 pole mounting diam. 76



- 42 adjustable arm

The reported luminous flux is the flux emitted by the light source with a tolerance of ± 10% compared to the indicated value. The W tot column indicates the total wattage absorbed by the system without exceeding 10% of the indicated